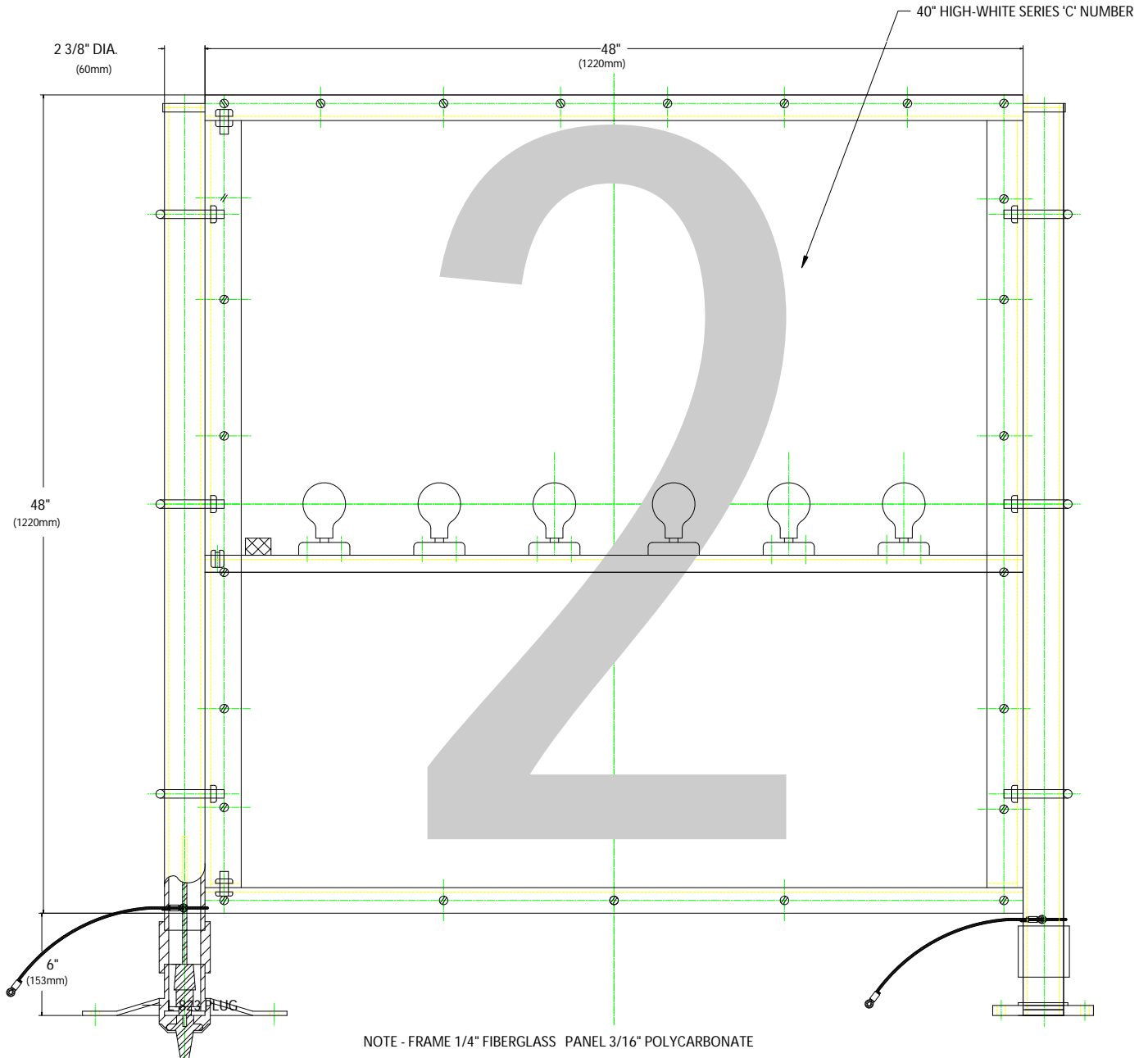
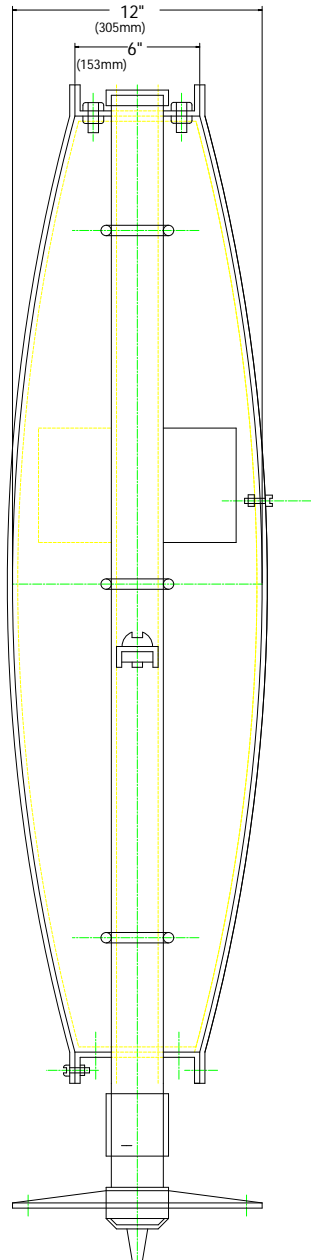




# Distance Remaining Sign Assembly, Size 4

TOLERANCES UNLESS OTHERWISE SPECIFIED		REVISIONS		STANDARD SIGNS, INC.	
FINISH	ASSEMBLY	NO.	DATE	BY	TITLE
± .003					Distance Marker Assembly
± 1/64"					
ANGULAR					S/J B
± 0°15'					3" = 1' 0"
					7-18-94
					SEE B/M
					D858CLT



NOTE - FRAME 1/4" FIBERGLASS PANEL 3/16" POLYCARBONATE